

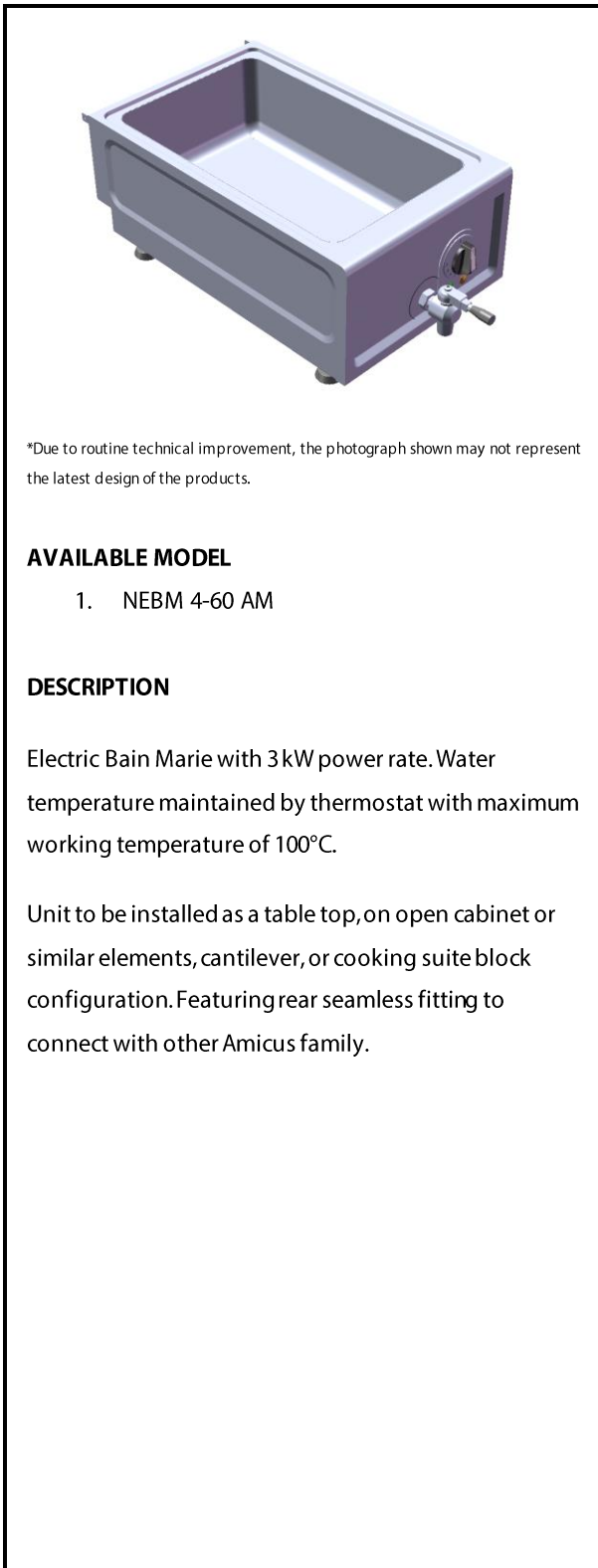


Total Food-Service Solutions

Modular Cooking - Amicus 600

Electric Bain Marie

NEBM 4-60 AM



*Due to routine technical improvement, the photograph shown may not represent the latest design of the products.

AVAILABLE MODEL

1. NEBM 4-60 AM

DESCRIPTION

Electric Bain Marie with 3kW power rate. Water temperature maintained by thermostat with maximum working temperature of 100°C.

Unit to be installed as a table top, on open cabinet or similar elements, cantilever, or cooking suite block configuration. Featuring rear seamless fitting to connect with other Amicus family.

ITEM# : _____

MODEL# : _____

NAME : _____

SN : _____

MAIN FEATURE

- 3 kW heating element with overheat protection system
- Maximum working temperature of 100°C.
- Drain outlet provided on the front panel.
- Manual refill of water in the basin.
- Removable food pan.
- Fully welded basin with water level marks.
- IPX4 water protection.

CONSTRUCTION

- All exterior panels in 304 type of Stainless Steel
- Orbital top surface anti-scratch finishing.
- Top with 1.2 mm surface.
- Side with 1.2mm pressed surface.
- Front with 0.8 mm pressed surface.
- Adjustable ±30 mm leg.

INCLUDED ACCESSORIES

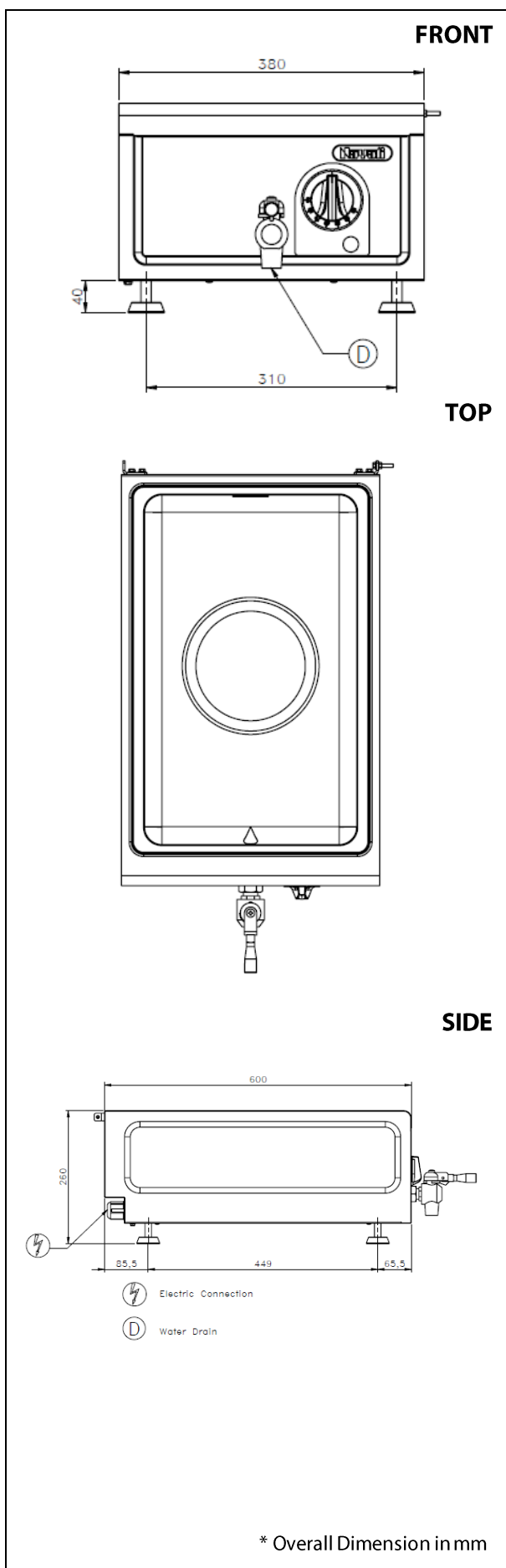
- Power cable

OPTIONAL ACCESSORIES

- GN Pan 1/1

The company reserves the right to make modifications to the products without prior notice. All information correct at time of printing. 2019.08.16





ELECTRIC

| | | |
|------------------------------------|---|---------|
| Electrical rating (kW) | : | 3 |
| Element rating (kW) | : | 3 |
| Electrical supply voltage | : | 230V 1N |
| Required electrical supply (amps): | | 14 |

KEY INFORMATION

| | | |
|------------------------|---|----------------|
| Unit dimension (WxDxH) | : | 380x600x260 mm |
| Cooking surface (WxD) | : | 310x510 mm |
| Direct heat emission | : | 0.15 kW |
| Latent heat emission | : | 0.03 kW |
| Steam emission | : | 0.045 kg/h |
| Working temperature | : | 30°C-100°C |
| Water drain | : | 3/4" |
| Net weight | : | 14 kg |

PACKING DETAILS

| | | |
|-----------------|---|----------------------|
| Shipping width | : | 450 mm |
| Shipping depth | : | 700 mm |
| Shipping height | : | 265 mm |
| Shipping volume | : | 0.083 m ³ |
| Gross weight | : | 17 kg |